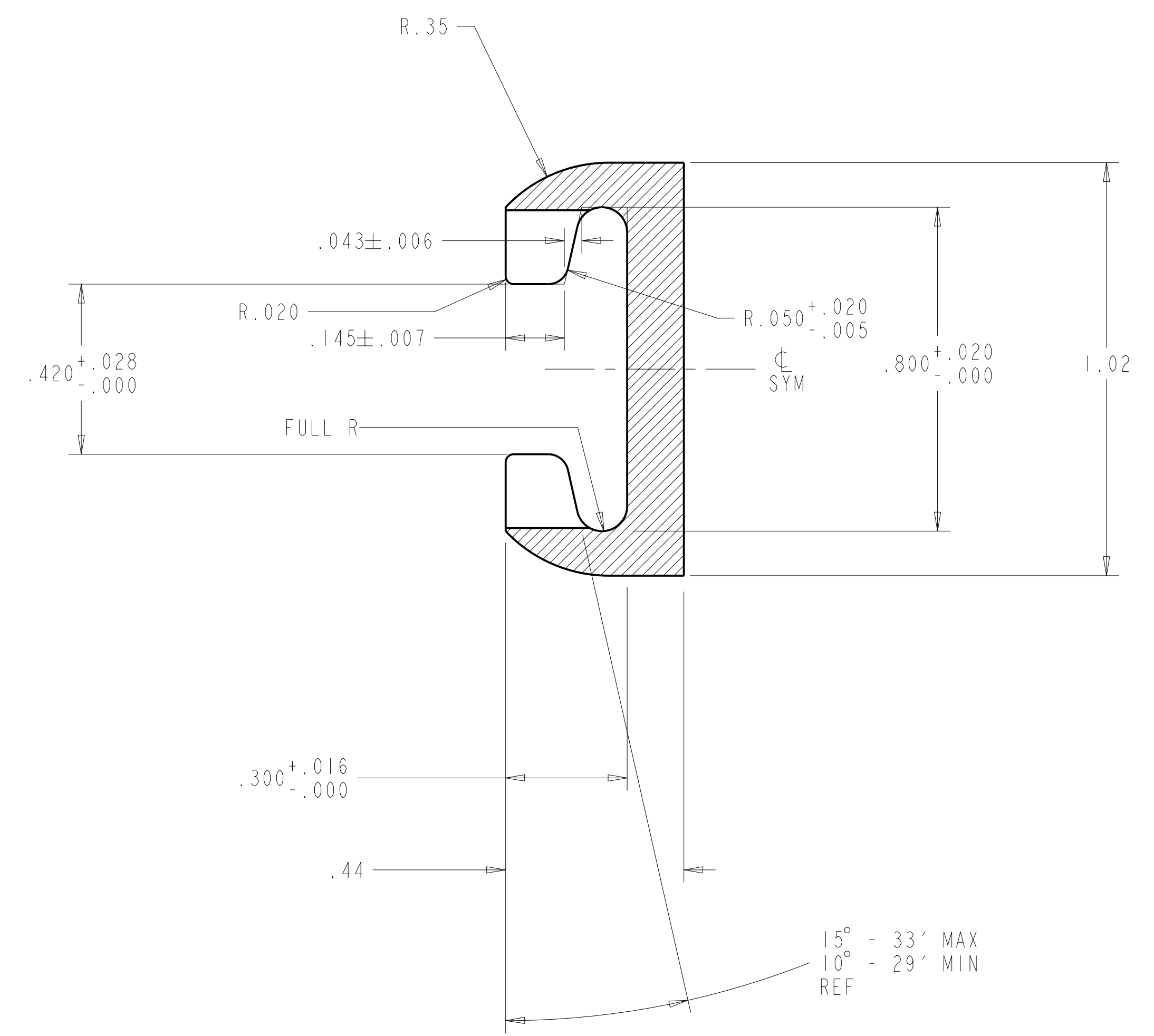
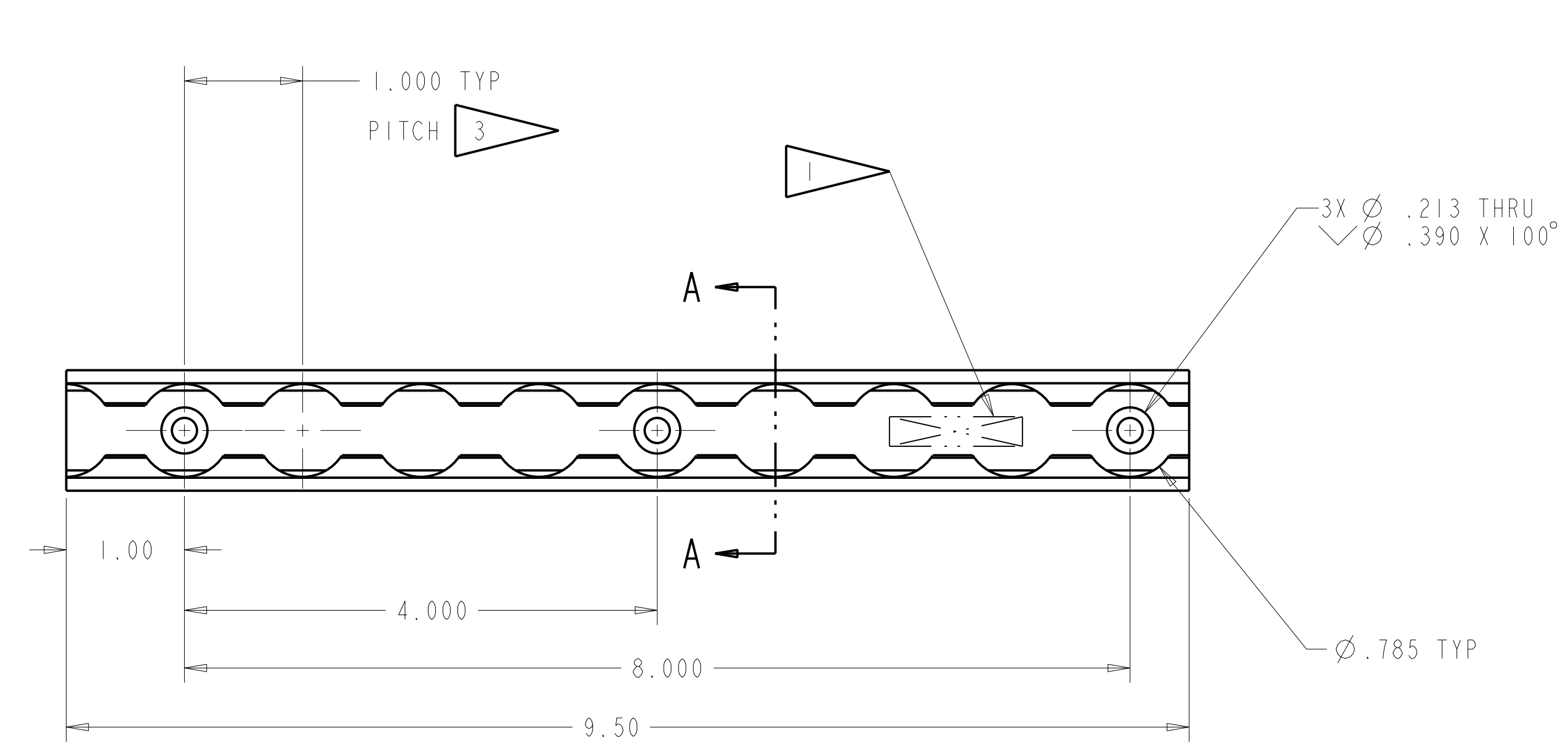


| REV | ZONE | DESCRIPTION OF CHANGE |
|-----|------|---|
| 2 | BOM | REMOVED PLATE FROM MATERIAL DESCRIPTION SPECIFICATION FOR ITEM 1 & 2 WAS QQ-A-250/12 IS QQ-A-225/9E |



SECTION A-A
SCALE 4/1

7. BLEND ALL RADII.
6. BREAK ALL SHARP EDGES AND ROUND ALL CORNERS TO .02 - .04 R.
5. ALL DIMENSIONS ARE IN INCHES/POUNDS.
4. ANODIZE TYPE II, CLASS I PER NASA/JSC PRC-5006.
3. CLEAN TO LEVEL GC PER NASA/JSC PRC-5001.
2. FABRICATION TOLERANCES AND PRACTICES PER SKZ-36103755.
1. INTERPRET PER JPG 8500.4.

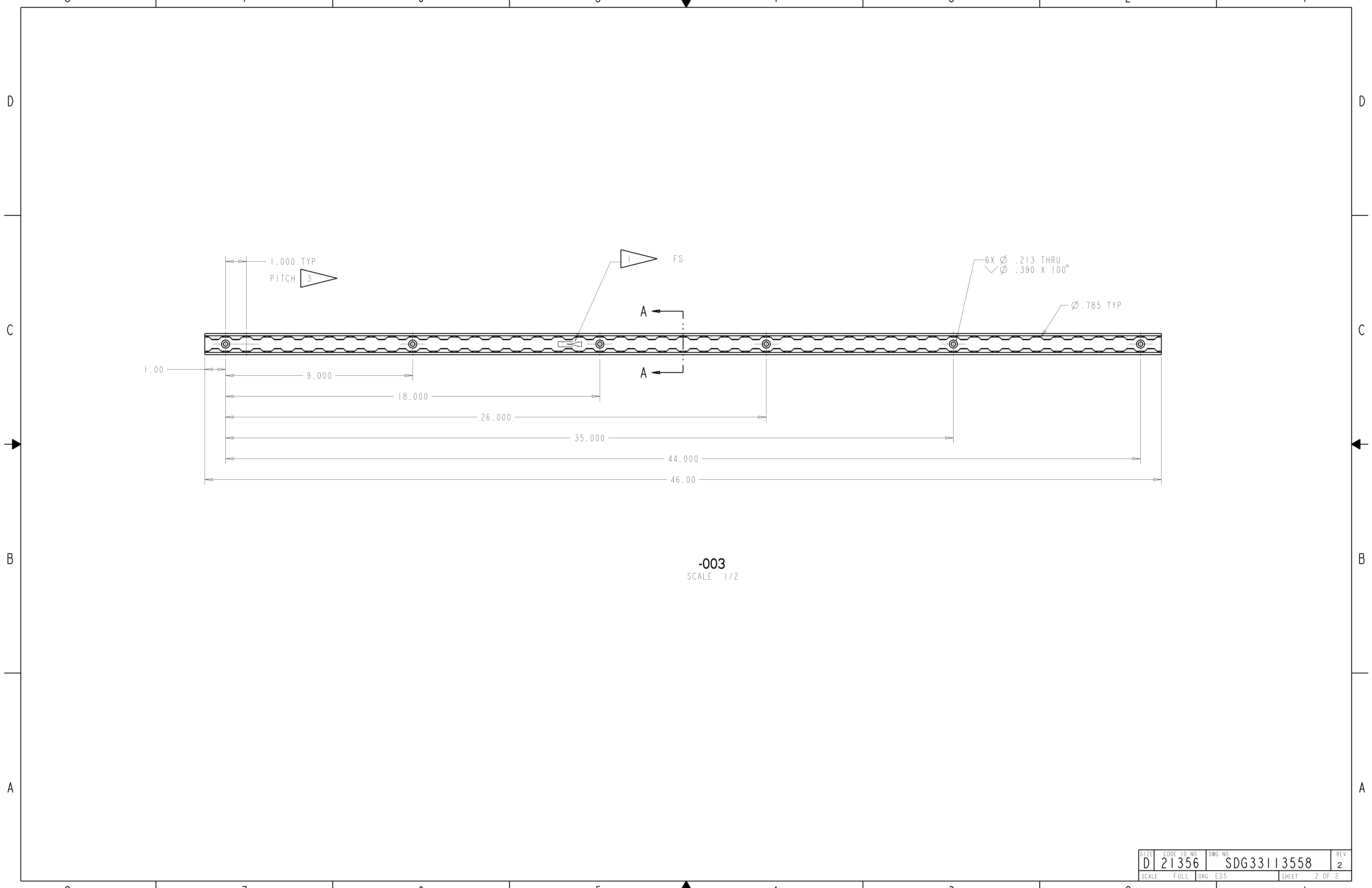
- 5 INDEPENDENT INK INC., GARDENA, CA.
- 4 TYPICAL FOR BOTH -001 AND -003.
- 3 ACCUMULATIVE TOLERANCE NOT TO EXCEED ± .020 IN 100 PITCHES.
- 2 INSIDE DIMENSIONS ARE PER MS33601.
- 1 RUBBER STAMP PART NUMBER AND SERIAL NUMBER IN 1/8 HIGH CHARACTERS USING INK (ITEM 3) PER NASA/JSC PRC-9002. LOCATE APPROXIMATELY AS SHOWN.

NOTES: UNLESS OTHERWISE SPECIFIED

FLAG NOTES

| QTY | PART NUMBER | DESCRIPTION | MATERIAL | SPECIFICATION | ITEM |
|-----|-------------|---------------------|--|---------------|------|
| | 73X | BLACK MARKING INK | | | 3 |
| | -003 | 46 INCH SEAT TRACK | 7075-T7351 AL ALY 46.0 X 1.02 X .44 | QQ-A-225/9E | 2 |
| | -001 | 9.5 INCH SEAT TRACK | 7075-T7351 AL ALY 9.5 X 1.02 X .44 | QQ-A-225/9E | 1 |

| | | | | | |
|--|---|------------|-------------|----------|---|
| DIMENSIONAL TOLERANCE UNLESS NOTED OTHERWISE | | SIGNATURES | | DATE | NATIONAL AERONAUTICS AND SPACE ADMINISTRATION LYNDON B. JOHNSON SPACE CENTER HOUSTON, TEXAS SEAT TRACK STRUCTURE ASSEMBLY PROJECT TEMPORARY SLEEP STATION |
| .0 ± .1 | .000 ± .005 | DR | TJ HINKEL | 08/21/00 | |
| .00 ± .02 | ANGULAR ± .5° | ENG | TJ HINKEL | 08/21/00 | |
| SURFACE FINISH IN MICROINCHES RMS UNLESS NOTED OTHERWISE | | CH | | | |
| FRACTURE CRITICAL | NEXT ASSY SEG33113545 | APP | G. VALLE | 11/17/00 | SIZE D 21356 CODE ID NO SDG33113558 DWG NO REV 2 |
| <input type="checkbox"/> YES | DWG FILENAME SDG33113558.DRW | QE | R. BUSSEY | 11/20/00 | |
| <input checked="" type="checkbox"/> NO | | MATL | R. DASGUPTA | 11/21/00 | |
| <input checked="" type="checkbox"/> FLT HDWR | <input type="checkbox"/> APPLICABLE GSE | AUTH | J. RABOIN | 11/21/00 | |
| <input type="checkbox"/> OTHER (SPECIFY) _ | | FAB APP | | 11/21/00 | SCALE FULL ORG ESS SHEET 1 OF 2 STATUS: Check for DCNs against the drawing. |



-003
SCALE 1/2

| | | | |
|-------|-------------|-------------|--------------|
| SIZE | CODE ID NO. | DWG NO. | REV |
| D | 21356 | SDG33113558 | 2 |
| SCALE | FULL | ORG ESS | SHEET 2 OF 2 |